

200 Gallon Skid

ITEM NUMBER 21-82PCXX-P530

Piston Pump

8gpm Capacity

- 200 Gallon Poly Tank
- Stainless Steel Frame with Risers
- P530 8gpm Piston Pump
- Manual Start Honda GX-160

- Easy Access Suction Filter
- Jet Agitation
- Air Gap Backflow Prevention
- 16" Lockable Lid with Tank Basket



Base Sprayers	Pumps
21-82PCXX-P530	P530 Piston
21-82PCXX-KA43	Kappa 43 Diaphragm
23-990020	Upgrade P530 to Turn-Key
Reel Packages	Reel & Hose
53-HA1526-0	Hannay 18" Manual 1/2" x 300'
53-HA1526-1	Hannay 18" Manual 3/8" x 400'
53-HAE1526-0	Hannay 18" Electric 1/2" x 300'
53-HAE1526-1	Hannay 18" Electric 3/8" x 400'
HA-9939-1018	18" Roller Guides

18" Hose Reel and Hose Sold Separately

ACCESSORIES



22-210000: Sprayer Cover *
20.5"H x 24"L x 19"W



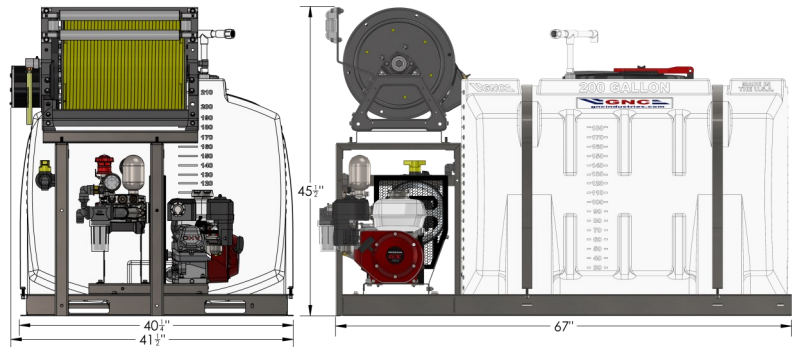
11-855-00
Mag-1 Do-All



Quick Connect Set
FT-QD38TW - 3/8" Hose
FT-QD12TW - 1/2" Hose



11-852-00
Mag-1 Original



Weight

340 lbs Empty

2010 lbs Full

Approx 450 lbs Shipping